

**ZOOTECH**

Aqua & LSS Specialists for Zoos & Aquaria

# Commercial Multi-Cyclone Centrifugal Pre-Filtration

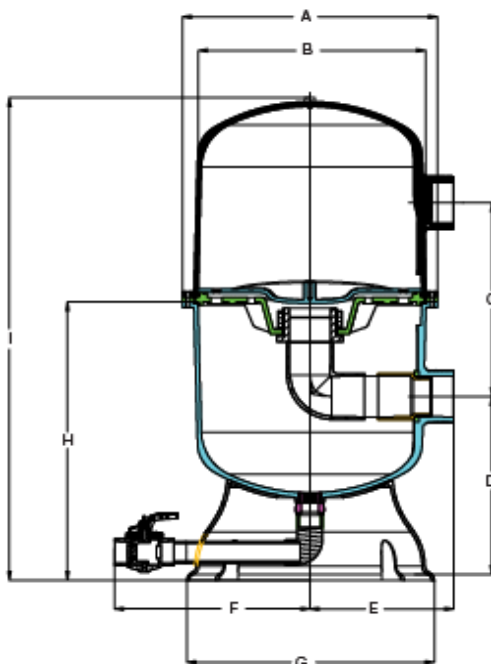
The MultiCyclone is a filtration device that is capable of saving water and reducing filter maintenance. The MultiCyclone works on the basis of centrifugal water filtration. There are no moving parts to wear and tear and no filter media to clean or replace. Incoming water is guided by a diverter plate so that it enters multiple hydro cyclones tangentially, generating a strong centrifugal effect. This spins the sediment out to the hydro cyclone's wall and then spirals it down to the sediment sump, while the cleansed water spirals upwards.

The MultiCyclone Commercial is a new addition to the Multi-Cyclone range. Although very different in appearance to the previously released models, this unit still has all the water and energy saving benefits of the standard MultiCyclone model. Specifically designed for commercial installations, the MultiCyclone Commercial has 4" / 110mm ports and uses 70 cyclones allowing it to function with a flow rate of 90m<sup>3</sup>/hr. The debris can be seen through the clear sight glass and flushed out of the purge valve.



## Specifications

Model	Connection Ports	Minimum Flow	Maximum Flow	Maximum Pressure
<b>MultiCyclone 70 XL Commercial</b>	4" / 110mm	36m <sup>3</sup> /hr	90m <sup>3</sup> /hr	3.5Bar/50psi/350kPa



Model	A	B	C	D	E
<b>MultiCyclone Commercial Pre-Filter</b>	710 mm	623.3 mm	542.5 mm	498.9 mm	400 mm

F	G	H	I
543.6 mm	498.9 mm	780.7 mm	1353.4 mm



For more information and pricing, please call 0845 643 9795

[www.zootechuk.co](http://www.zootechuk.co)