

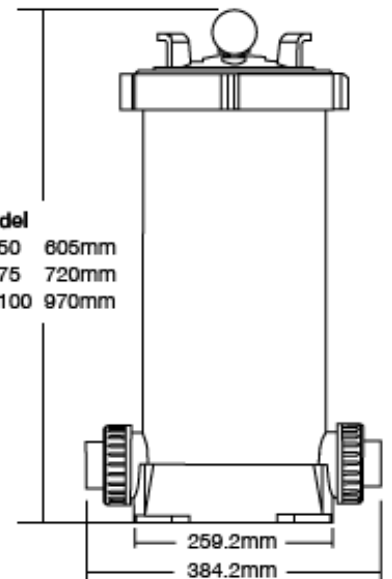
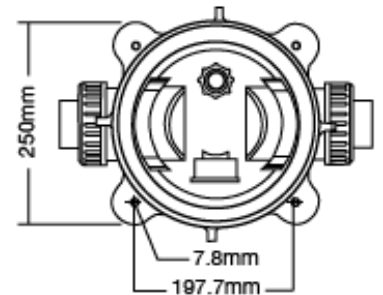
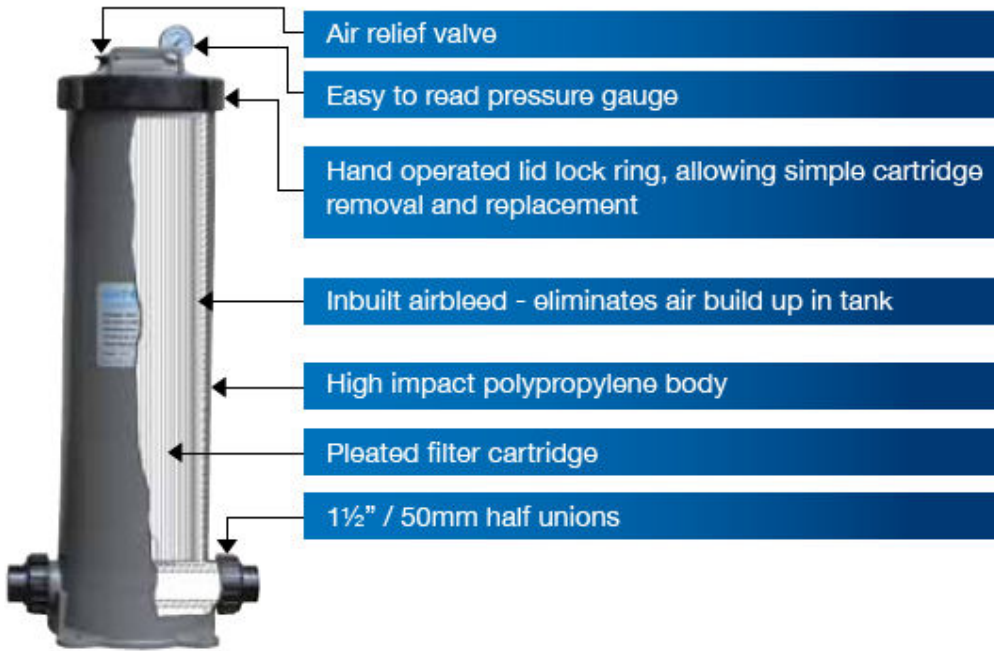
**ZOOTECH**

Aqua & LSS Specialists for Zoos & Aquaria

©Copyright 2008/2010

## TRIMLINE CARTRIDGE FILTERS - 3.5 Bar pressure rating

Trimline cartridge filters are compact, economical filters designed to effectively filter out suspended solids from your pool. Trimline cartridge filters utilise a specially treated synthetic fabric which is pleated into a cartridge. Cartridge filters are ideal for applications where backwashing may not be practical.



Model	Height
CC50	605mm
CC75	720mm
CC100	970mm

### Trimline Pleated Filter Cartridge

The Trimline pleated filter cartridges are fabricated from pleated reusable polyester fabric. The media has been pleated to provide 4.6 to 9.3 square metres of surface area in order to maximise the cartridge dirt holding capacity and extend the time between cleaning.

Material : Polyester Fabric material, Vinyl Plastisol end caps and a Polypropylene core

Operating Temperature : 4°C to 50°C

Maximum Pressure Drop : 0.2 Bar / (3psi)

### Simple Maintenance

The filter cartridge is easily cleaned by hosing the pleats with a standard garden hose.

Model	Maximum Area	Dom. flow	Working Pressure		Max. Pool Size	Overall Weight
	m <sup>2</sup>	m <sup>3</sup> /hr	Bar	psi	m <sup>3</sup>	kg
CC50	4.6	11.4	3.5	50	60	8.6
CC75	6.9	16.5	3.5	50	90	10.5
CC100	9.3	22.88	3.5	50	120	14.0